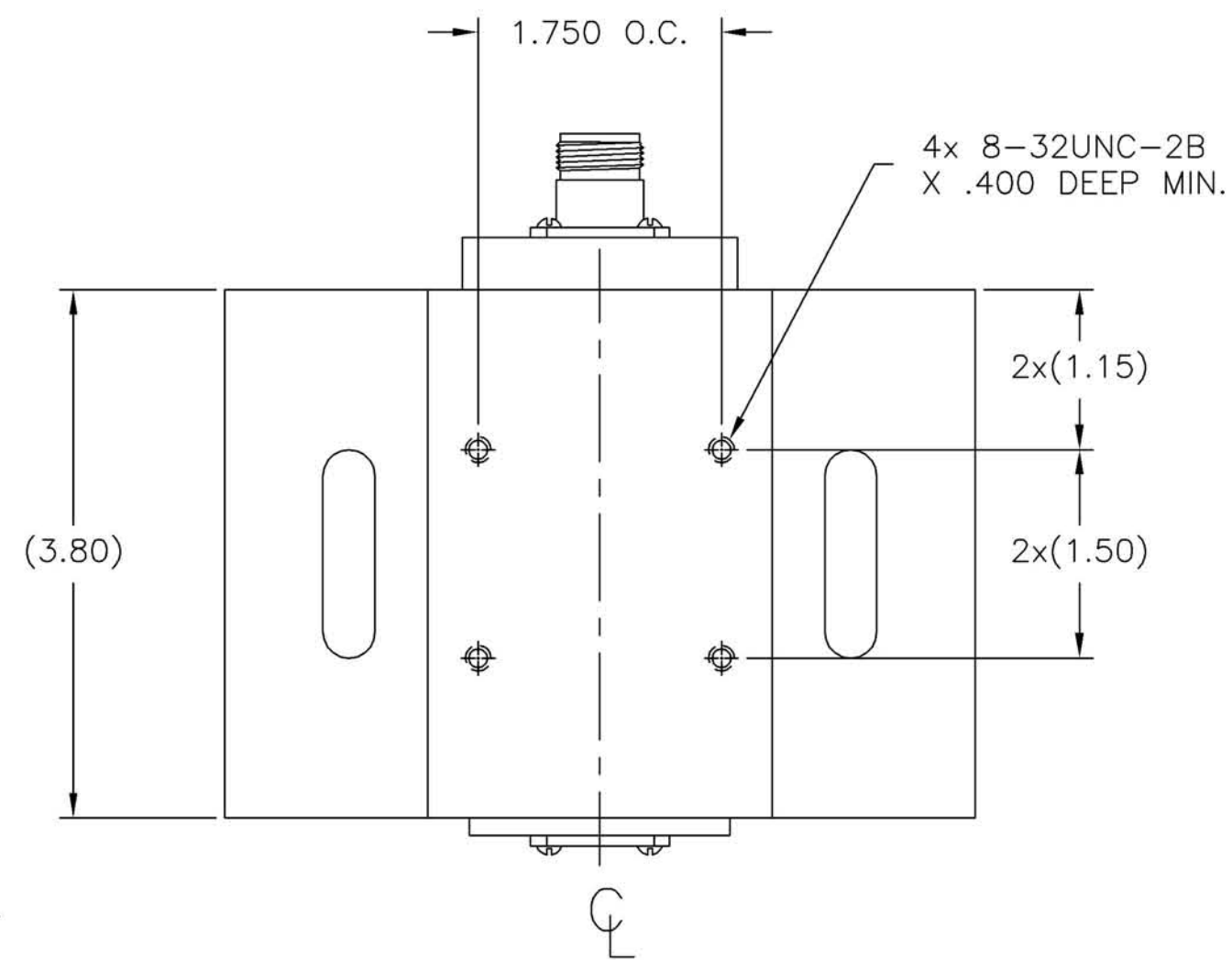
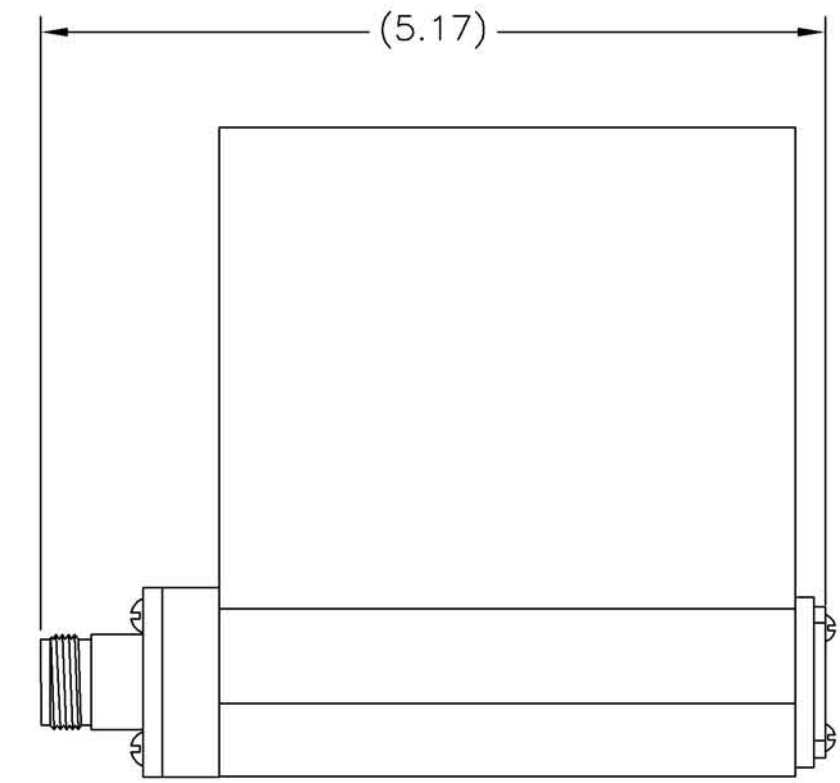
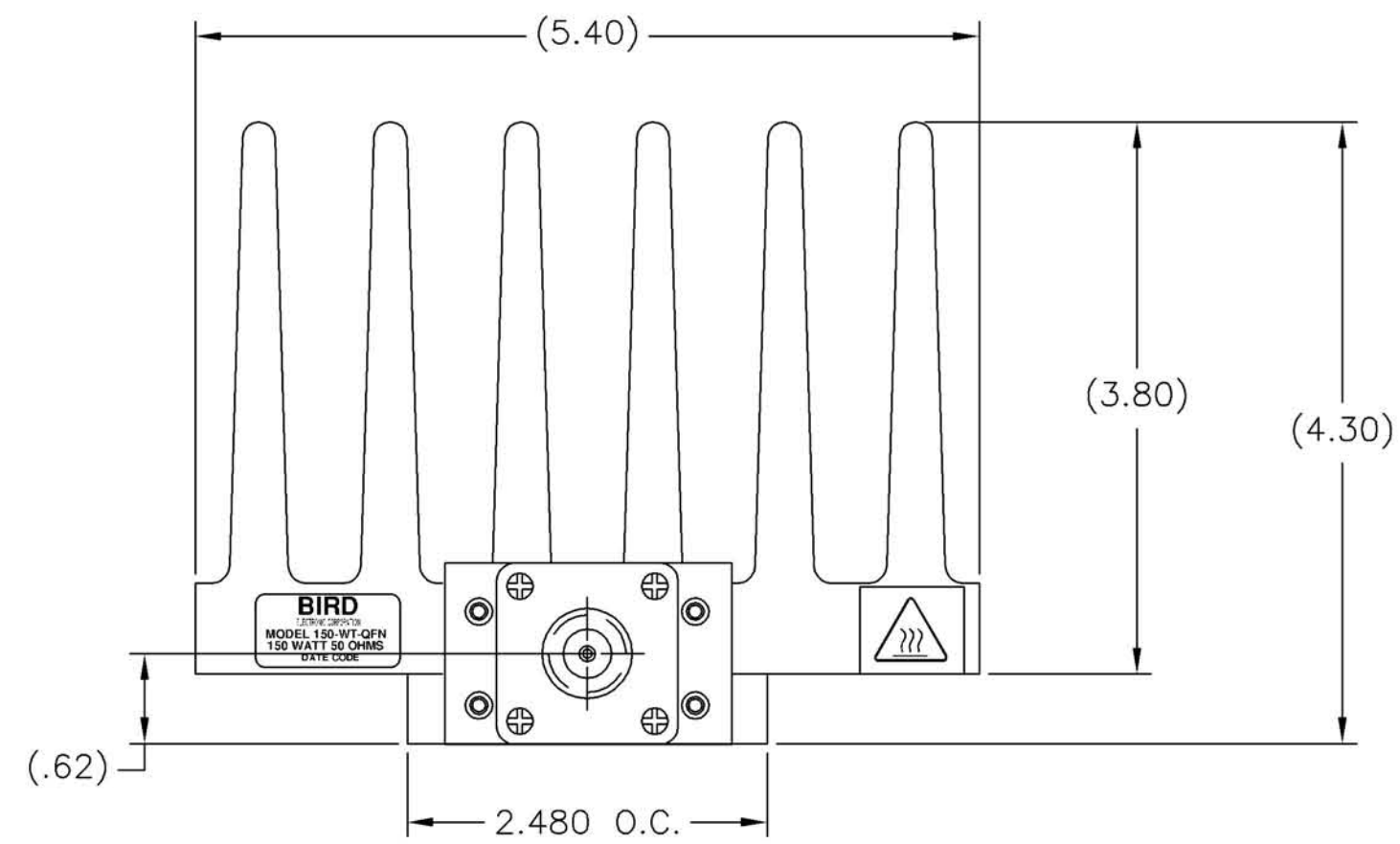



REVISIONS		DWG. NO.	150-WT-QFN	SHEET	REV
ZONE	REV	DESCRIPTION	DATE	APPROVED	
	A	??????	?????		



SPECIFICATIONS:
 IMPEDANCE: 50 OHMS NOMINAL
 FREQUENCY RANGE: DC TO 2.4GHz
 VSWR: DC TO 1GHz AT 1.10:1 MAX.
 1GHz TO 2.4GHz AT 1.25:1 MAX.
 POWER RATING: 150 WATTS AVG. AT 25°C AMBIENT
 COOLING FIN: ALUMINUM, BLACK ANODIZED
 COVER: ALUMINUM, BLACK ANODIZED
 CONNECTOR: "QC" N-TYPE FEMALE
 OPERATING POSITION: HORIZONTALLY (FINS UP) OR VERTICALLY
 NOMINAL SIZE: APPROX. 5.17" L X 5.40" W X 4.30" H
 WEIGHT: APPROX. 2.5 LBS

NOTE: ELECTRICAL SPECIFICATION ARE WITH THE NORMALLY SUPPLIED "QC" N-TYPE FEMALE CONNECTOR

UNLESS OTHERWISE SPECIFIED DIMENSIONS ARE IN INCHES TOLERANCES ARE:		MILLIMETERS .X = ±.4 .XX = ±.12		THIS DRAWING IS THE PROPERTY OF THE BIRD ELECTRONIC CORPORATION. THE DESIGNS AND SPECIFICATIONS DISCLOSED HEREON ARE PROPRIETARY AND SHALL NOT BE REPRODUCED, NOR COPIED, NOR USED AS THE BASIS FOR THE MANUFACTURE OR SALE OF APPARATUS OR DEVICES WITHOUT THEIR EXPRESS WRITTEN CONSENT.	
FRACTIONS	DECIMALS	ANGLES	 Cleveland (Solon) Ohio USA		
± 1/64	.XX = ±.010 .XXX = ±.005	± 30'			
DO NOT SCALE DRAWING		APPROVALS		DATE	TITLE
MATERIAL		DRAWN		2-16-06	TERMINATION, CONVECTION COOLED "QC" N-TYPE FEMALE, 150W
FINISH		CHECKED			
		APPROVED			
		AUTOCAD			
SIZE	FSCM NO.	DWG. NO.	REV		
C	70998	150-WT-QFN	A		
SCALE	1:1	COMM CODE	LD1	SHEET	1 OF 1